

DESVAC HATCH SPRAY

Cabinet Sprayer for Day Old Chick Vaccination



Our automatic spray cabinet, **Desvac Hatch Spray**, is a very adaptable and convenient method of administering live vaccines. Its four nozzles spray a wide range of droplet size in a uniform mist.

Key Features

- Uniform spray pattern with 4 nozzles at 150 µm to 300 µm
- Accurate dosage delivering from 10 ml to 22 ml
- Easy to operate
- Resistant long lasting material
- Cleaning In Place (CIP) cycle for better hygiene
- Adjustable to all types of crate, minimizing vaccine waste and maximizing vaccine efficacy

Pathologies: Infectious Bronchitis, Newcastle Disease, Coccidiosis, Avian Metapneumovirus, E. coli

Ceva Vaccines: Cevac Vitapest L, Cevac Vitabron L, Cevac iBird

PROFILE



Long Lasting User Friendly Equipment

- Sturdy stainless steel frame
- Drip free system thanks to a vaccine drain
- Smooth crate handling on roller tubes

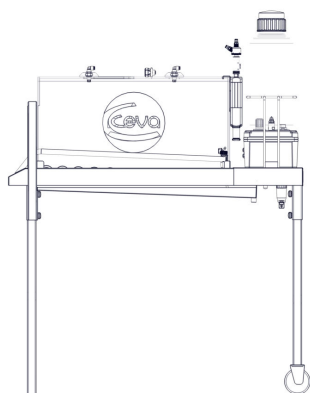
Constant Droplet Size

- Accurate and easy to set dosage from 10 ml to 22 ml
- Large nozzle range: 150 μm to 300 μm
- Precise air pressure control guarantees the correct droplet size

High Quality Spray

- 4 Nozzles for maximum coverage of all birds
- Adjustable nozzles to match crate size

SPECIFICATIONS



Target	Day old chicks
Vaccination Technique	Spray
Weight	47 kg
Max. Crate Dimension	50 cm x 65 cm
Air Consumption	7.15 L.min ⁻¹
Working Pressure	4 to 6 bars
Dose	10 ml to 22 ml
Tank Capacity	5 litres
Speed	up to 300 cases/ hour or 30 000



As part of the Ceva Hatchery Immunisation Control Keys program (C.H.I.C.K.), our Ceva Hatchery Specialist will monitor the good operation of the equipment and the quality of vaccination during the routine visit.

